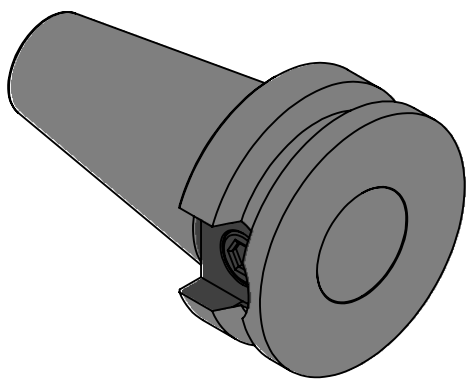
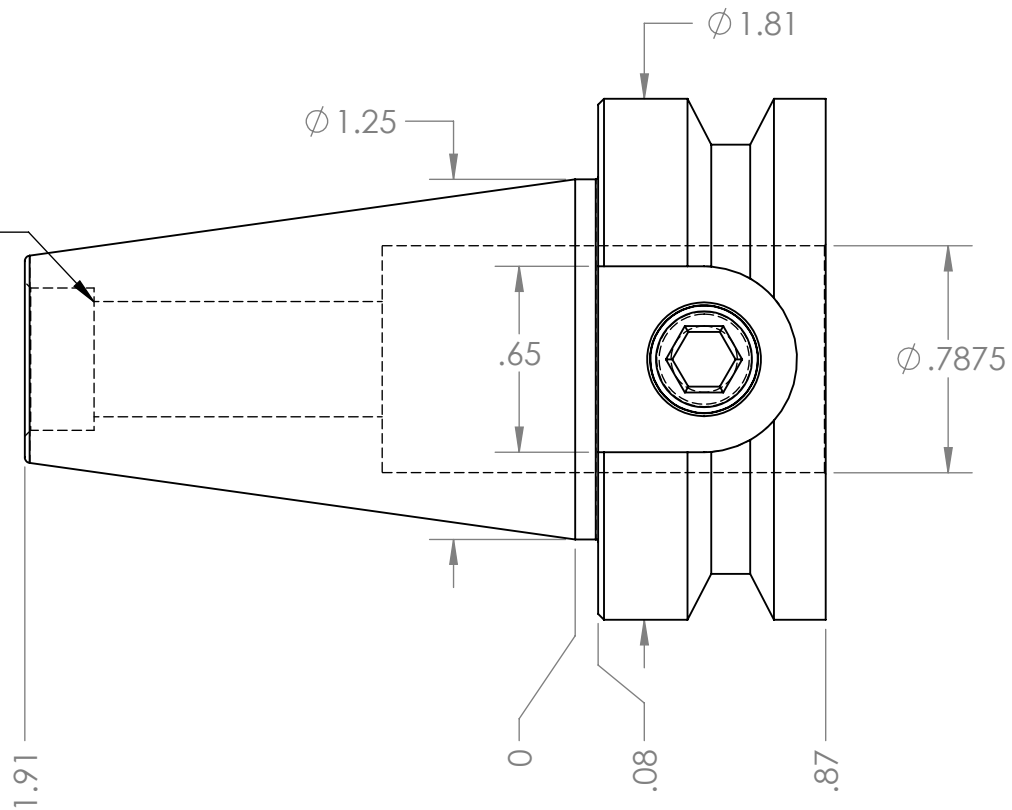


M12x1.75 THREAD x 1.00 DEEP  
C'BORE DIA .492 x .236 DEEP



NOTES:  
WORKS ON ALL BT30 MACHINES  
HOLDER USES 3/8-24 SET SCREW, PART #SS150  
FOR MORE PRODUCT DETAILS PLEASE GO TO MARITOO.COM  
AND SEARCH ITEM # LISTED ON THIS PRINT

**MARITOO**

WWW.MARITOO.COM

ITEM#

**BT30 EM20-9**

Made in USA